

- ◆ Slim and compact size
- ◆ 1 pole 12A; 2 pole 8A
- ◆ With non-polarity LED integrated in relay
- ◆ With lockable test button and inspection window
- ◆ Identification of coils through test button color (AC red/DC blue)
- ◆ Conformity with RoHs Directive

**Test button**  
On-site test is available with test button.

**LED**  
Visible LED indicates the working status of the relay at any time, AC red, DC green

**Silver alloy contacts**  
It can carry more current, with stronger conductivity and more sensitive response, and greatly extend electrical life, and works more stable.

**AMD module**

**Bus jumper**  
Bus jumper extends the circuit.

**Top copper coil material**  
Standard turns and electromagnetic coils make the pick-up more reliable and enduring, which can reach more than 20 million cycles.

**Silver alloy pins**  
High-quality silver alloy pins, strong contact, instantaneous conductivity and stable performance.



Relay

+

Socket

=

Relay module

RFT □ □ □ □

**Other options**

- blank: standard type
- L: with LED
- D: with diode (1-,5+ ; 1-,8+)
- D1: with diode(1+,5-; 1+,8-)
- LD: with LED and diode (1-,5+ ; 1-,8+)
- LD1: with LED and diode (1+,5-; 1+,8-)
- LT: LED + Test button
- LTD: LED + test button+diode (1-, 5+; 1-, 8+)
- LTD1: LED + test button+diode (1+, 5-; 1+, 8-)
- B: cover with flange (selection plus B,namely LB,DB,LDB, etc.)
- A:gold plated contact

**Coil voltage code**

Code	006	012	024	048	110	
Voltage (V DC)	6	12	24	48	110	
Code	506	524	536	548	615	730
Voltage (V AC)	6	24	36	48	115	230

**Terminal arrangement**

- O: plug in

**Contact form**

- 1C: 1CO
- 2C: 2CO

**Series**

**Characteristics**

		1C	2C
Configuration		1C	2C
Load	Resistance	12A/250VAC, 30VDC	8A/250VAC, 30VDC
	Motor load	1/3HP, 240VAC	1/6HP, 240VAC
	Max. switching capacity (resistive)	3000VA, 360W	2000VA, 240W
Contact	Min. switching capacity	170mW(17V/10mA)	
	Initial contact resistance	≤50mΩ	
	Material	Ag alloy	
	Electrical durability (high temp., frequency 1s on, 1s off)	≥20 x 10 <sup>4</sup> Cycles (1800 Ops/h)	
	Electrical durability (normal temp., frequency 1s on, 5s off)	≥30 x 10 <sup>4</sup> Cycles(600 Ops/h)	
	Mechanical durability	≥2000 x 10 <sup>4</sup> Cycles (18000 Ops/h)	
Pick-up voltage (23°C) (Rated voltage)	DC:≤75% ,AC:≤80% 50/60Hz		
Drop-out voltage (23°C) (Rated voltage)	DC:≥10% ,AC:≥30% 50/60Hz		
Maximum voltage (23°C)(Rated voltage)	110%		
Insulation resistance	≥1000MΩ (500VDC)		
Coil operating power	DC(W)	approx. 0.53	
	AC(VA)	approx. 1.0	
Operate time (at nominal voltage)	≤20ms		
Release time (at nominal voltage)	≤10ms		
Initial breakdown voltage	Between open contacts	1000VAC/1min (leakage current 1mA)	
	Between poles	3000VAC/1min (leakage current 1mA)	
	Between contacts and coil	5000VAC/1min (leakage current 1mA)	
Insulation characteristics	Rated voltage	250VAC	
	Pollution level	3	
	IEC 60664 UL840 Overvoltage level	III	
Impulse withstand voltage (waveform: 1.2/50μs)	4000V		

Protection level	IP20
Storage temperature/ humidity	55~+85°C/5%~68%RH(18 months)
Working temperature/ humidity	-40~+55°C/5%~85%RH((No condensation)
Air pressure	86~106KPa
Shock resistance	10G (half-sine shock pulse: 11ms)
Vibration resistance	10~55Hz double-amplitude:1.0mm
Mounting	plug in
Unit weight	approx. 18g

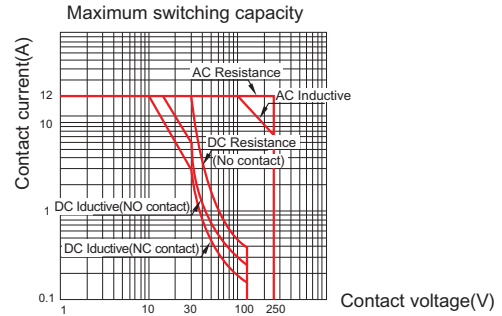
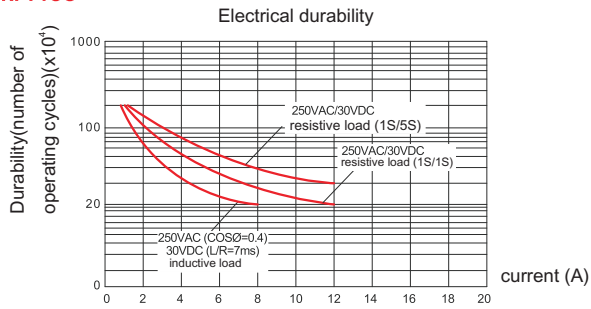
**Coil Specifications (23°C)**

Nominal voltage V.DC	6	12	24	48	110	
Coil resistance Ω	68	270	1100	4300	22800	
Nominal voltage V.AC	6	12	24	48	115	230
Coil resistance Ω	16	63	240	1085	6300	23000

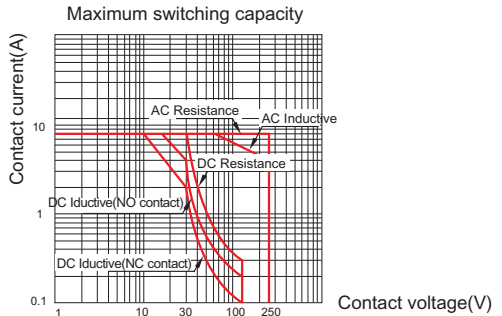
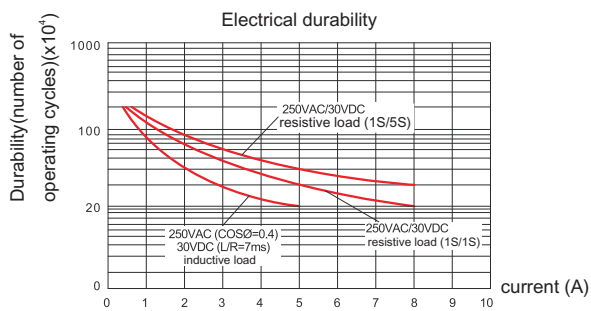
Coil resistance: under coil voltage 110V are measured with tolerance of ±10%Ω, above 110V with tolerance of ±15%Ω.

**Contact Specification**

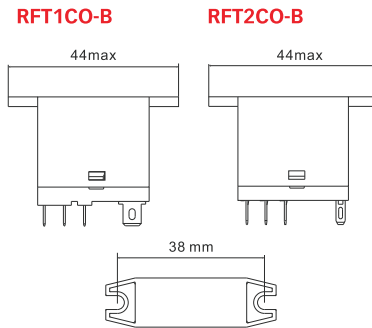
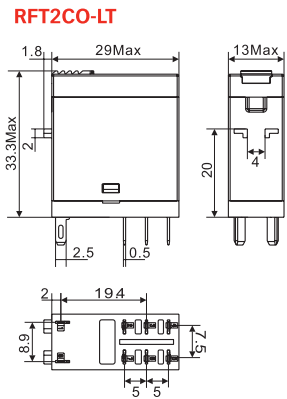
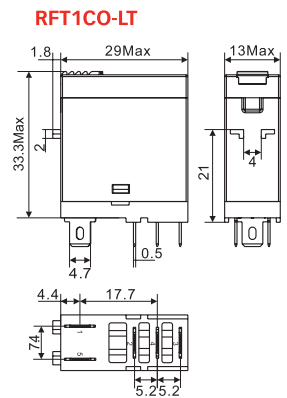
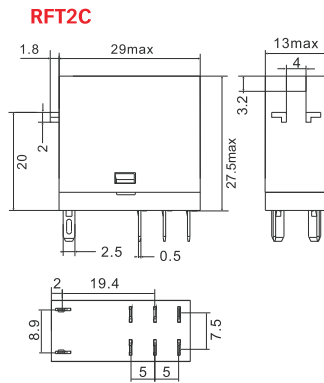
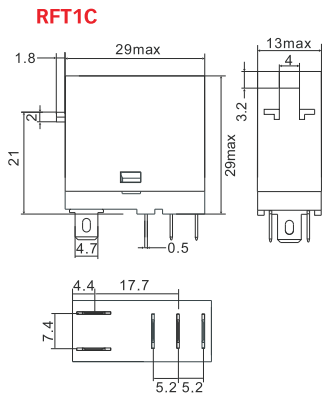
**RFT1CO**



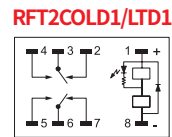
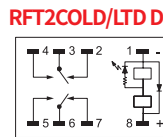
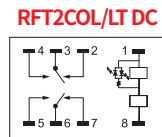
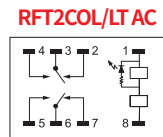
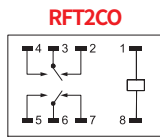
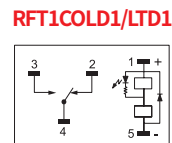
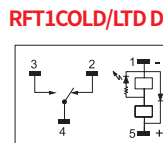
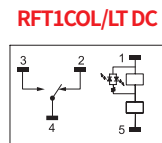
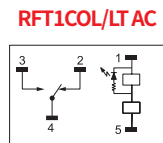
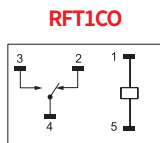
**RFT2CO**



**Dimensions (mm)**



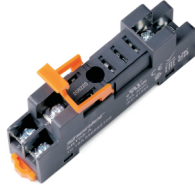
**Wiring Diagrams**



## Characteristics



SRT05-A


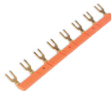


SRT08-A

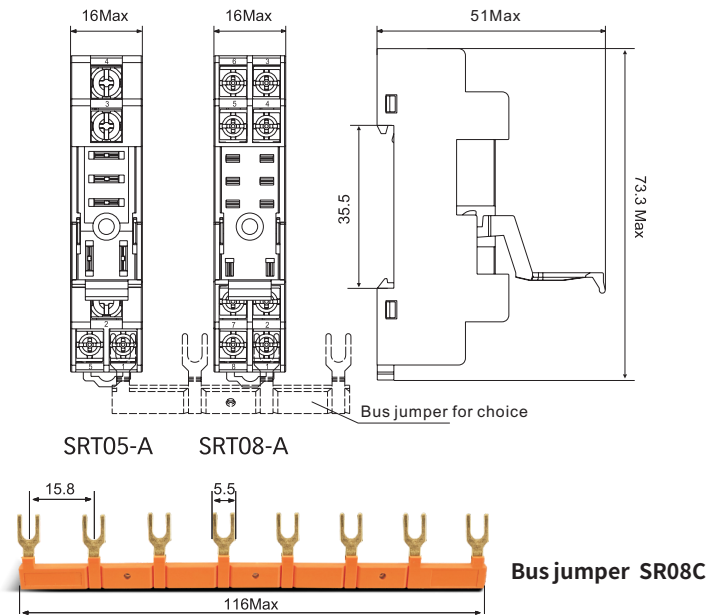


Type			SRT05-A	SRT08-A
Nominal load	Current	A	16	10
	Voltage	V	300	
Dielectric strength	Between coil and contact	V/min	4000	
	Between contacts	V/min	2500	
Max. tightening torque		Nm	1.0	
Wire size		AWG/mm <sup>2</sup>	20-14/0.5-2.5	
Ambient temperature		°C	-40~+85	
Unit weight		g	22	27

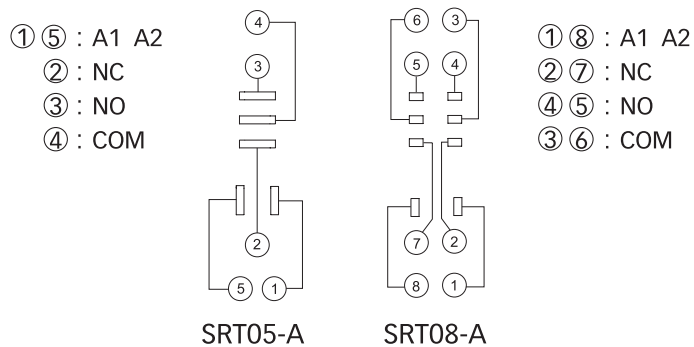
### Accessories

Plastic clip	Bus jumper
 SR20 (included in socket)	 SR08C

## Dimensions (mm)



## Connection Diagrams



## Characteristics



SRT05-E

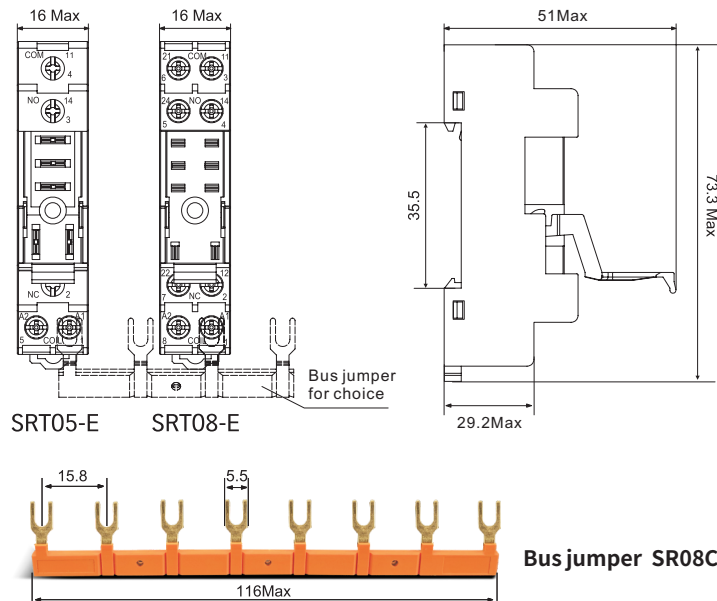


SRT08-E

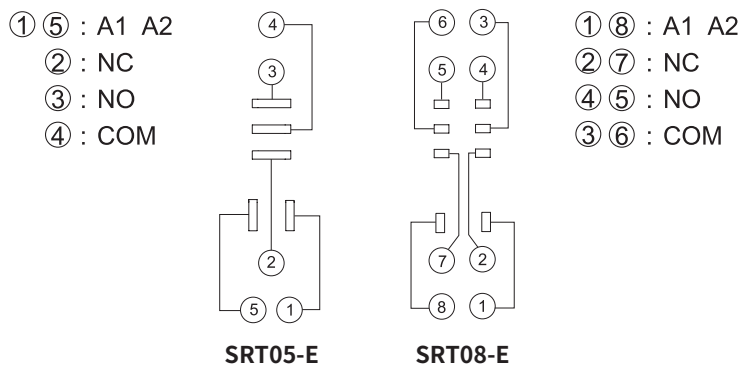


Type			SRT05-E	SRT08-E
Nominal load	Current	A	16	10
	Voltage	V	300	
Dielectric strength	Between coil and contact	V/min	4000	
	Between contacts	V/min	2500	
Max. tightening torque		Nm	1.0	
Wire size		AWG/mm <sup>2</sup>	20-14/0.5-2.5	
Ambient temperature		°C	-40~+85	
Unit weight		g	22	27
Accessories				
Plastic clip			Bus jumper	
<p>SR20 (included in socket)</p>			<p>SR08C</p>	

## Dimensions (mm)



## Connection Diagrams



## Characteristics



SRT05-ES



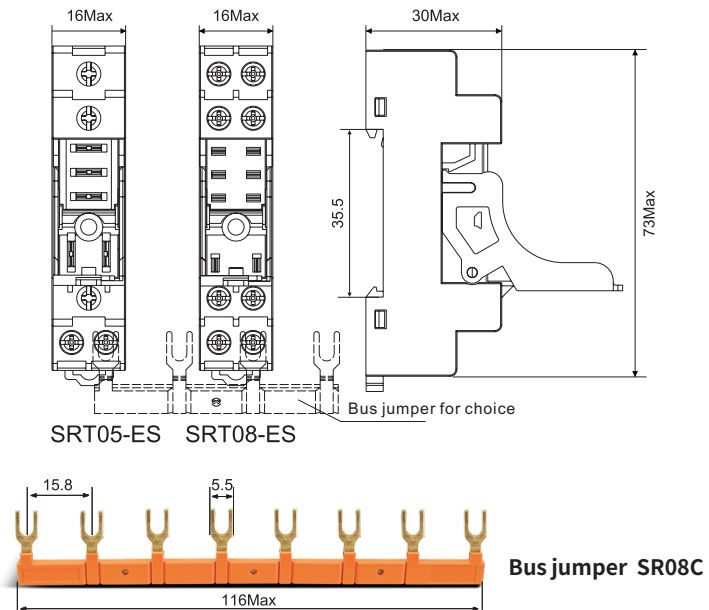
SRT08-ES



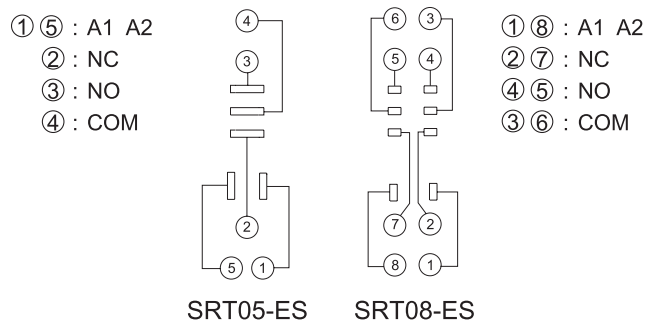
Type			SRT05-ES	SRT08-ES
Nominal load	Current	A	16	10
	Voltage	V	300	
Dielectric strength	Between coil and contact	V/min	4000	
	Between contacts	V/min	2500	
Max. tightening torque		Nm	1.0	
Wire size		AWG/mm <sup>2</sup>	20-14/0.5-2.5	
Ambient temperature		°C	-40~+85	
Unit weight		g	22	27

Accessories		
Socket	Plastic clip	Bus jumper
SRT05-ES	 SR20L (included in socket)	 SR08C
SRT08-ES		

## Dimensions (mm)



## Connection Diagrams



## Characteristics



SRU05-E



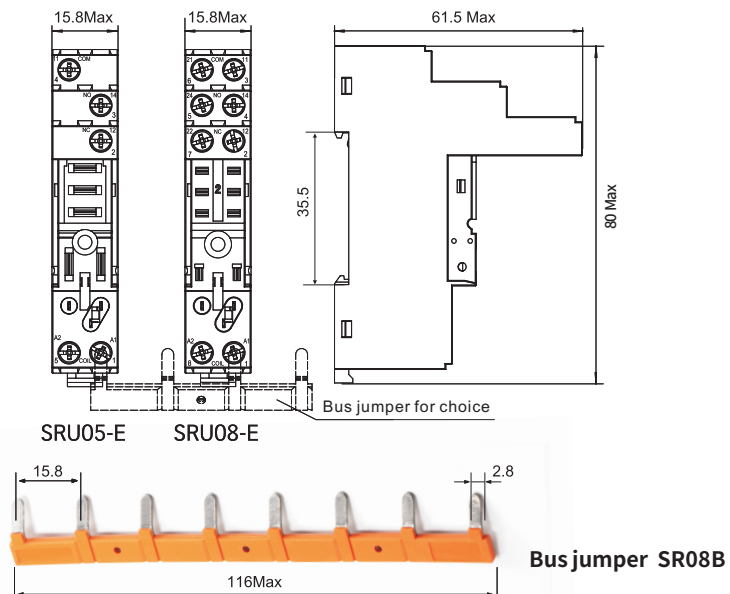
SRU08-E



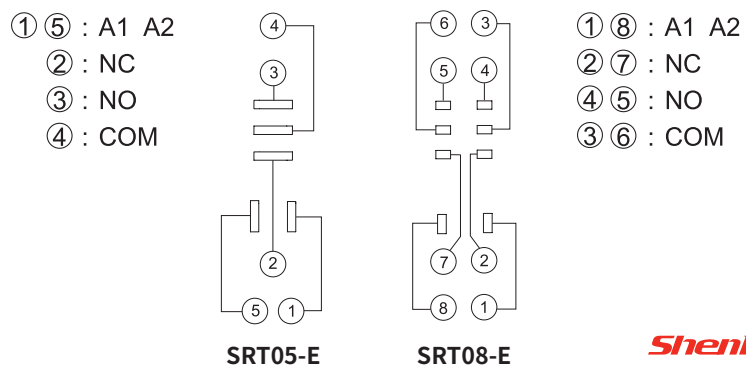
Type			SRU05-E	SRU08-E	
Nominal load	Current	A	16	10	
	Voltage	V	300		
Dielectric strength	Between coil and contact	V/min	4000		
	Between contacts	V/min	2500		
Max. tightening torque		Nm	1.0		
Wire size		AWG/mm <sup>2</sup>	20-14/0.5-2.5		
Ambient temperature		°C	-40~+85		
Unit weight		g	35	43	
Accessories					
Socket	Plastic clip	Metal clip★	ID tag	Module	Bus jumper
SRU05-E					
SRU08-E	SR20T		SR2P	AMD	SR08B

★ SR27M is for relay with no test button; SR320M is for relay with test button.

## Dimensions (mm)



## Connection Diagrams

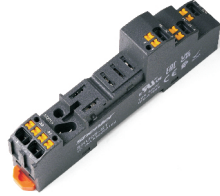




## Characteristics



SRU05-ST



SRU08-ST

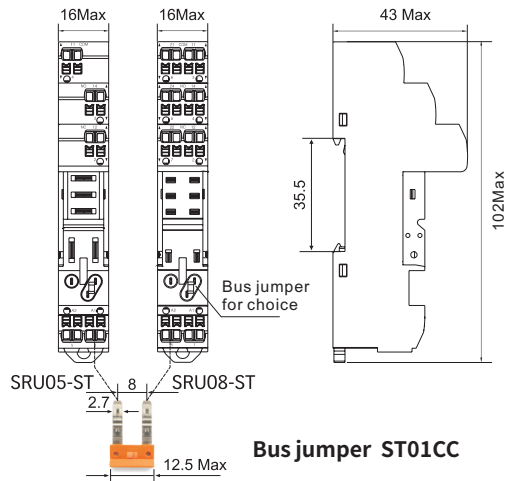


Type			SRU05-ST	SRU08-ST
Nominal load	Current	A	16	10
	Voltage	V	300	
Dielectric strength	Between coil and contact	V/min	4000	
	Between contacts	V/min	2500	
Max. tightening torque	Nm	-		
Wire size	AWG/mm <sup>2</sup>	20-14/0.5-2.5		
Ambient temperature	°C	-40~+85		
Unit weight	g	35	43	

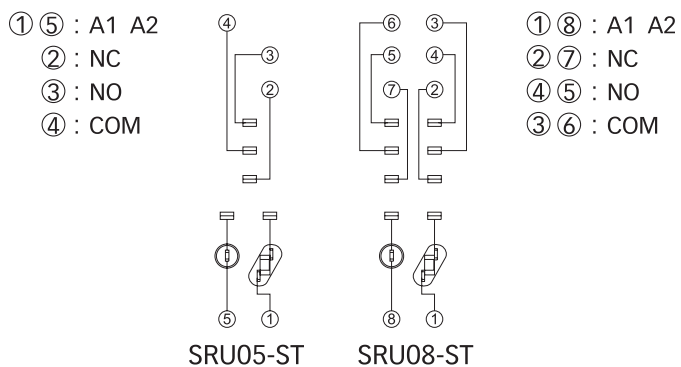
Accessories					
Socket	Plastic clip	Metal clip★	ID tag	Module	Bus jumper
SRU05-ST					
SRU08-ST	SR20T		SR2P	AMD	ST01CC

★ SR27M is for relay with no test button; SR320M is for relay with test button.

## Dimensions (mm)

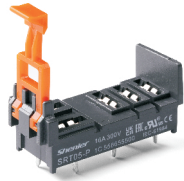


## Connection Diagrams



**Characteristics**

**SRT05-P**

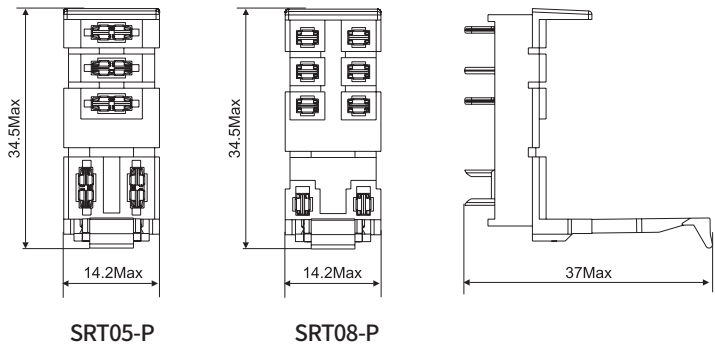


Type			SRT05-P	SRT08-P
Nominal load	Current	A	16	10
	Voltage	V	300	
Dielectric strength	Between coil and contact	V/min	4000	
	Between contacts	V/min	2500	
Ambient temperature		°C	-40~+85	
Unit weight		g	4	

**SRT08-P**



**Dimensions (mm)**



**Connection Diagrams**

